




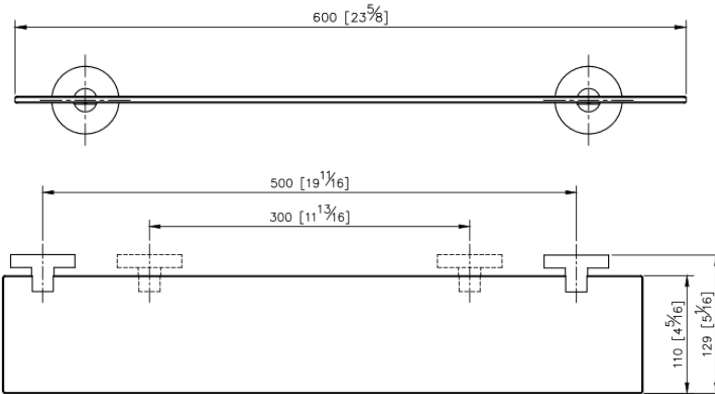

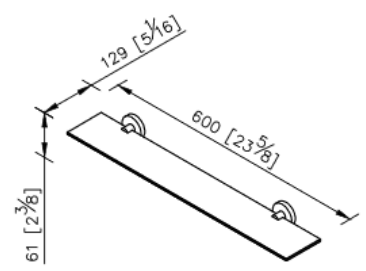
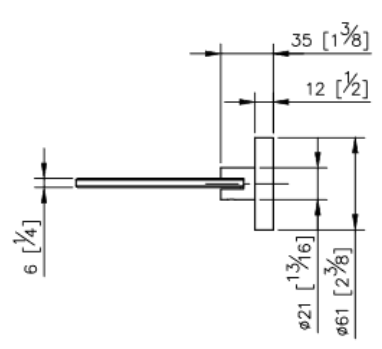
PROJECT		REF		REV	ITEM CODE	
LOCATION		DATE			PAGE	

SANITARY WARE SPECIFICATION SHEET

Item Descriptions	Justime (Taiwan) Chrome plated shelf	Illustration/ Drawing 
Dimensions	L600 x W129 x H61 mm	
Model	6810-70-80CP	
Material / Finish	Brass / Chrome Plated	
Manufacturer	Justime (Taiwan)	
Source	Acme Sanitary Ware Co. Ltd Mr. Eric Wong/ Mr. Don Yuen	
Contact Tel/Fax	(852) 2388-7171 / (852) 2710-8012	
E-mail Website	acme@acmesanitary.com.hk www.acmesanitary.com.hk	

DESCRIPTION:

1. Brass of forging body meets JIS 3771 standard
2. Premium metal construction for durability
3. Justime finishes resist corrosion and tarnish
4. Finish meets the standard of ASTM-SC2.
5. The simply design concept could be collocated with diverse space
6. Correctly installed product's loading is 5 kg f
7. Tempered glass(600*110*6mm)8.Coordinates with other products in 6810 collection

Note:

* All information of the above is for the reference only. No prior notice is made if any changes.